

# SmartRead

## 1, 2 or 3 Phase Active Energy KWH Meter



### The Smart Read meter

Smart Read comprises a 3-phase electricity KWH meter with better than Class 1 (Direct Read) or Class 0.5S (Current Transformer) accuracy. The meter is certified as a three phase meter, or three individual single phase meters. It can easily be mounted within a DIN compatible mounting frame housing or on a DIN rail attachment. The meter supports a wide range of communications options making it extremely adaptable for use in today's Smart Energy and AMR applications. Key features include:

- 1, 2 or 3 phase, 2 - 3 or 4-wire residential direct-reading and transformer connected active energy (kWh) meters
- 5(80) A (direct); 1(6) A (transformer connected), 230/400V, 50 Hz
- Electronic meter according to IEC 61036 standard with accuracy better than 1%
- Fully functional with at least one phase operating.
- DIN-standard base terminals
- Optical Serial port for configuration and meter reading
- S0 pulse output
- VLSI-ASIC (A/D-conversion and digital signal processing)
- Integrated 2 A power supply for auxiliary communications modules
- CE and UL approved

# Specifications

	Direct Read	Transformer Connected
Meter Class	IEC Class 1 active energy	IEC Class 0.5S active energy
Voltage	Un = 230/400V (-20/+15%) 1, 2 or 3 phase plus neutral	
Frequency	50 Hz ± 1Hz	
Base Current	Ib = 3 X 5A	In = 3 X 1A
Max Current	I <sub>max</sub> = 3 X 80A	I <sub>max</sub> = 3 X 6A
Meter Constant	1000 imp/kWh (programmable)	10000 imp/kWh (programmable)
Power Consumption	1.5VA (up to 12VA with communications options)	
Certification	CE, UL in accordance with EN62052-11, EN62053-21	CE, UL in accordance with EN62052-11, EN62053-22

## LED/Pulse Output

- S0 In accordance with EN62053-31, Class A and B

## Optical I/O

- 900nm IR, 9600 baud
- IEC62056-21, Mode C (IEC1107)

## Self-diagnostic Capability

- Meter Self Tests
- Dead Phase Detection
- SW Watchdog Timer

## Mechanical

- According to DIN43857 and DIN43859
- IP52 for Indoor Meters
- IP20 terminal block and terminal cover
- Fits into existing DIN meter frames.
- 141 x 97 x 60 mm with DIN rail attachment.
- Wire and pin attachment at 13.5 mm from wall.
- Weight: 0.5 kg

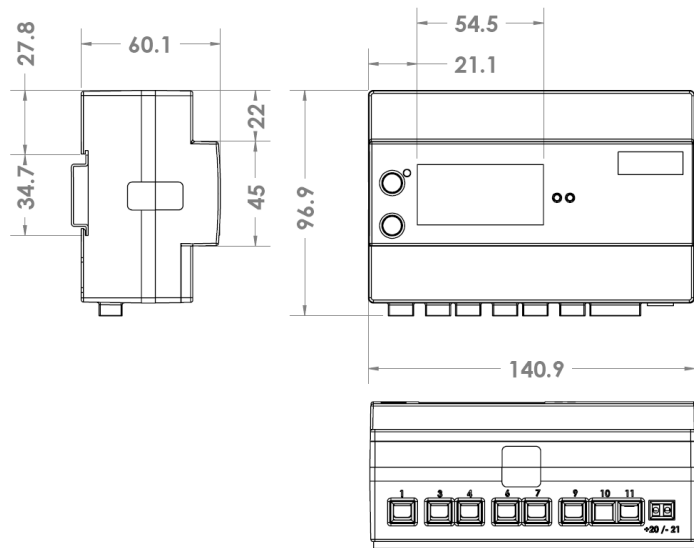
## Environment

- Operating Temperature: -25° to +55°C
- Storage Temperature: -40° to +70°C

## Display and User I/O

Tariff  Max Min A B C  
  
 VAI KVAH KWH \$

- 8 digits
- Viewing Area: 54mm x 25mm
- Available Displays: kWh, Wh, Watts



Powrtec Corporation  
 45 Camden Ave, Suite D  
 Campbell, CA 95008  
 Tel: +1 (408) 374-1900  
 Fax: +1 (408) 374-1902  
 info@powrtec.com  
 www.powrtec.com